

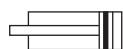
Compact cylinders - SQ

Double acting compact cylinders with magnetic pistons

SQ (Eco-Line)

Materials: Body: Aluminium anodised, piston rod: Steel hard chrome-plated, seal: NBR
 Temperature range: -10°C to max. +60°C, Operating pressure: Max. 10 bar

Especially good value!



Ø 16 - 25 mm

Piston Ø 12 mm	Piston Ø 16 mm	Piston Ø 20 mm	Piston Ø 25 mm	Piston Ø 32 mm	Piston Ø 40 mm	Stroke
SQ 12/5 SZ	SQ 16/5 SZ	SQ 20/5 SZ	SQ 25/5 SZ	SQ 32/5 SZ	SQ 40/5 SZ	5
SQ 12/10 SZ	SQ 16/10 SZ	SQ 20/10 SZ	SQ 25/10 SZ	SQ 32/10 SZ	SQ 40/10 SZ	10
SQ 12/15 SZ	SQ 16/15 SZ	SQ 20/15 SZ	SQ 25/15 SZ	SQ 32/15 SZ	SQ 40/15 SZ	15
SQ 12/20 SZ	SQ 16/20 SZ	SQ 20/20 SZ	SQ 25/20 SZ	SQ 32/20 SZ	SQ 40/20 SZ	20
SQ 12/25 SZ	SQ 16/25 SZ	SQ 20/25 SZ	SQ 25/25 SZ	SQ 32/25 SZ	SQ 40/25 SZ	25
SQ 12/30 SZ	SQ 16/30 SZ	SQ 20/30 SZ	SQ 25/30 SZ	SQ 32/30 SZ	SQ 40/30 SZ	30
---	---	SQ 20/35 SZ	SQ 25/35 SZ	SQ 32/35 SZ	SQ 40/35 SZ	35
---	---	SQ 20/40 SZ	SQ 25/40 SZ	SQ 32/40 SZ	SQ 40/40 SZ	40
---	---	SQ 20/45 SZ	SQ 25/45 SZ	SQ 32/45 SZ	SQ 40/45 SZ	45
---	---	SQ 20/50 SZ	SQ 25/50 SZ	SQ 32/50 SZ	SQ 40/50 SZ	50
---	---	---	---	SQ 32/60 SZ	SQ 40/60 SZ	60
---	---	---	---	SQ 32/70 SZ	SQ 40/70 SZ	70
---	---	---	---	SQ 32/75 SZ	SQ 40/75 SZ	75
---	---	---	---	SQ 32/80 SZ	SQ 40/80 SZ	80
---	---	---	---	SQ 32/90 SZ	SQ 40/90 SZ	90
---	---	---	---	SQ 32/100 SZ	SQ 40/100 SZ	100

Repair sets

SQ 12 REP	SQ 16 REP	SQ 20 REP	SQ 25 REP	SQ 32 REP	SQ 40 REP
-----------	-----------	-----------	-----------	-----------	-----------



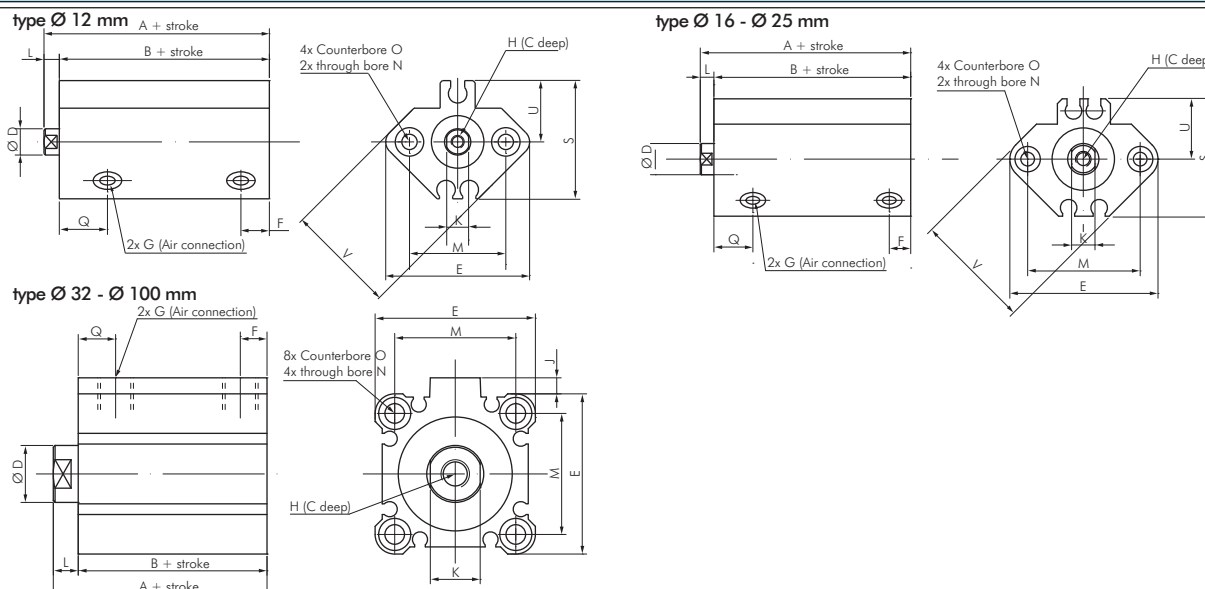
Ø 32 - 100 mm

Piston Ø 50 mm	Piston Ø 63 mm	Piston Ø 80 mm	Piston Ø 100 mm	Stroke
SQ 50/5 SZ	SQ 63/5 SZ	SQ 80/5 SZ	SQ 100/5 SZ	5
SQ 50/10 SZ	SQ 63/10 SZ	SQ 80/10 SZ	SQ 100/10 SZ	10
SQ 50/15 SZ	SQ 63/15 SZ	SQ 80/15 SZ	SQ 100/15 SZ	15
SQ 50/20 SZ	SQ 63/20 SZ	SQ 80/20 SZ	SQ 100/20 SZ	20
SQ 50/25 SZ	SQ 63/25 SZ	SQ 80/25 SZ	SQ 100/25 SZ	25
SQ 50/30 SZ	SQ 63/30 SZ	SQ 80/30 SZ	SQ 100/30 SZ	30
SQ 50/35 SZ	SQ 63/35 SZ	SQ 80/35 SZ	SQ 100/35 SZ	35
SQ 50/40 SZ	SQ 63/40 SZ	SQ 80/40 SZ	SQ 100/40 SZ	40
SQ 50/45 SZ	SQ 63/45 SZ	SQ 80/45 SZ	SQ 100/45 SZ	45
SQ 50/50 SZ	SQ 63/50 SZ	SQ 80/50 SZ	SQ 100/50 SZ	50
SQ 50/60 SZ	SQ 63/60 SZ	SQ 80/60 SZ	SQ 100/60 SZ	60
SQ 50/70 SZ	SQ 63/70 SZ	SQ 80/70 SZ	SQ 100/70 SZ	70
SQ 50/75 SZ	SQ 63/75 SZ	SQ 80/75 SZ	SQ 100/75 SZ	75
SQ 50/80 SZ	SQ 63/80 SZ	SQ 80/80 SZ	SQ 100/80 SZ	80
SQ 50/90 SZ	SQ 63/90 SZ	SQ 80/90 SZ	SQ 100/90 SZ	90
SQ 50/100 SZ	SQ 63/100 SZ	SQ 80/100 SZ	SQ 100/100 SZ	100

Repair sets

SQ 50 REP	SQ 63 REP	SQ 80 REP	SQ 100 REP
-----------	-----------	-----------	------------

Main dimensions - compact cylinders SQ



Piston Ø	A	B	C	D	E	F	H	J	K	L	M	N	O	P	Q	S	U	V
12 mm	31.5	28.0	6	6	33	6.5	M 3	---	5	3.5	22	3.5	6.5 (3.5 deep)	M 5	11.0	27.5	14	25
16 mm	34.0	30.5	8	8	38	5.5	M 4	---	6	3.5	28	3.5	6.5 (3.5 deep)	M 5	10.0	29.5	15	29
20 mm	36.0	31.5	7	10	47	5.5	M 5	---	8	4.5	36	5.5	9 (7 deep)	M 5	10.5	35.5	18	36
25 mm	37.5	32.5	12	12	52	5.5	M 6	---	10	5.0	40	5.5	9 (7 deep)	M 5	11.0	40.5	21	40
32 mm	40.0	33.0	13	16	45	7.5	M 8	4.5	14	7.0	34	5.5	9 (7 deep)	G 1/8"	10.5	---	---	---
40 mm	46.5	39.5	13	16	52	8.0	M 8	5.0	14	7.0	40	5.5	9 (7 deep)	G 1/8"	11.0	---	---	---
50 mm	48.5	40.5	15	20	64	10.5	M 10	7.0	17	8.0	50	6.6	11 (8 deep)	G 1/4"	10.5	---	---	---
63 mm	54.0	46.0	15	20	77	10.5	M 10	7.0	17	8.0	60	9.0	14 (10.5 deep)	G 1/4"	15.0	---	---	---
80 mm	63.5	53.5	21	25	98	12.5	M 16	6.0	22	10.0	77	11.0	17.5 (13.5 deep)	G 3/8"	16.0	---	---	---
100 mm	75.0	63.0	27	30	117	13.0	M 20	6.5	27	12.0	94	11.0	17.5 (13.5 deep)	G 3/8"	23.0	---	---	---

All data are considered to be unbinding reference values. We accept no liability for data selection that is not confirmed in writing. Pressure data refer, if not otherwise indicated, to liquids of Group II at +20°C.